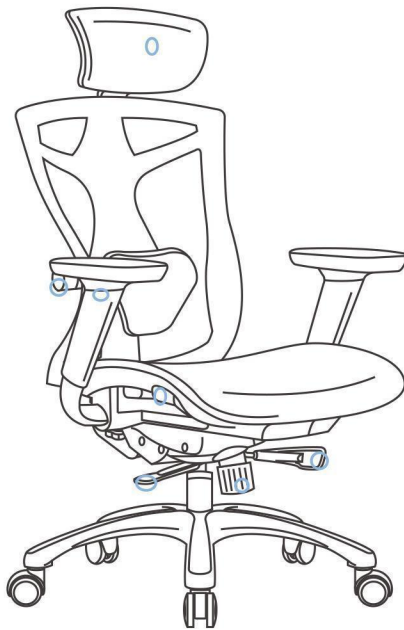


# V1















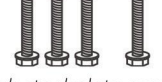
## PRODUCT INSTALLATION GUIDE



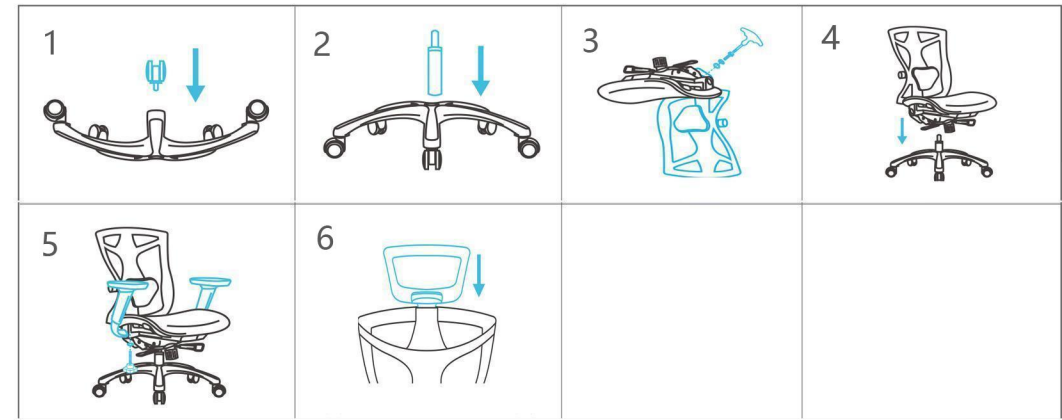
Product Size : 68\*65 (70) \*112(130)CM

**Caution!** only adults are allowed to install, keep children away

### Accessories List (subject to actual size, each type of screw has extra for spare, unit: piece/set)

 caster*5	 seat cushion*1	 backrest*1	 armrest*2	 headrest*1
 gas spring*1	 base*1	 large gasket*2	 armrest knob*2	 wrench*1
 small gasket*4	 spring gasket*4	 back steel plate screws*4		

### Installation Diagram (subject to actual size)



- 1, press the caster into the chair leg;
2. Put the gas spring into the middle hole of the chair leg;
3. Connect the seat cushion and backrest with 3 pieces M8\*40 screws plus spring plates and small washers
4. Align the upper part of the assembled chair and insert the gas spring
5. Insert the armrest into the cushion, and use the knob to enlarge the washer to install the armrest on the cushion
6. Insert the headrest into the headrest hole of the backrest, and the installation is complete.