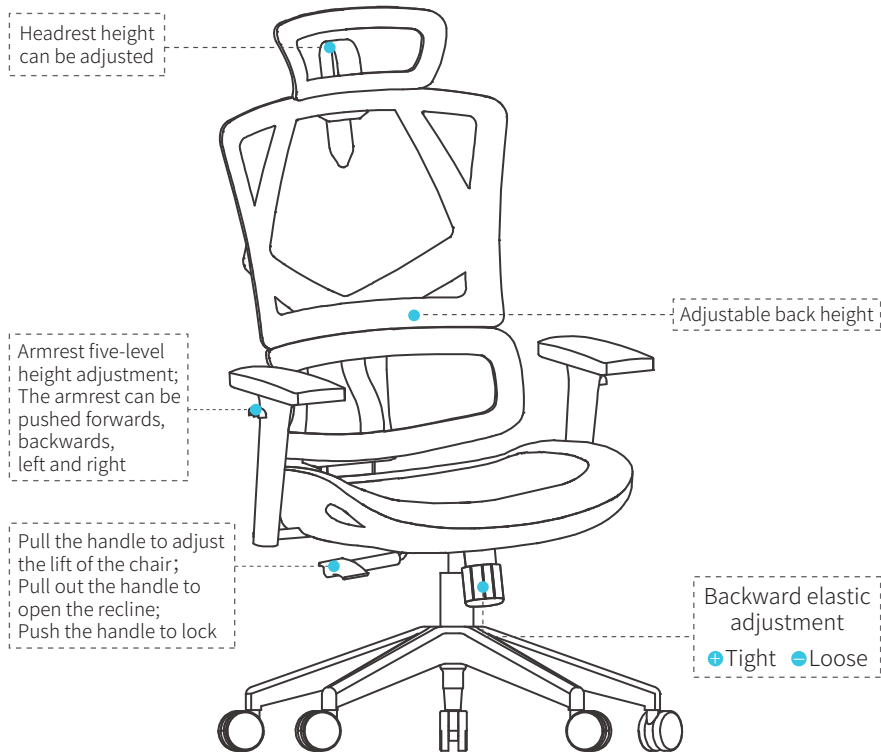


EVIRA

M90

PRODUCT INSTALLATION GUIDE

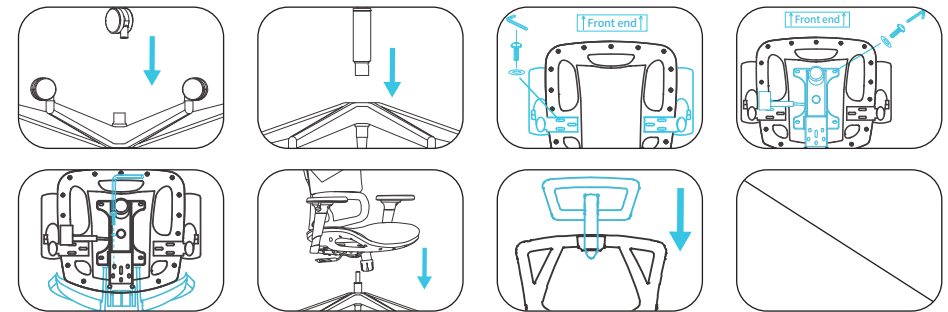


Product size: 68*70*111.5(117.5)CM

Accessories list (subject to actual size, each type of screw has extra for spare)

Castor*5	Base*1	Headrest*1	Armrest*2
Backrest*1	Large gasket*3+1	Gas lift*1	Small gasket*10+1
Mechanism*1	Mechanism screw (M6*20)*4+1	Hexagonal wrench*1	Back steel plate screw (M8*20)*3+1
Seat cushion*1	Armrest screw(M6*20)*6	Note: Before installing the chair, please sort the screws and measure the length of the screws for installation.	

Installation diagram (subject to actual size)



1. Put the castor into the base by pressing;
2. Insert the gas lift to the base;
3. Install the armrest into the cushion with 6*(M6*20) screws and 6*small shim;
4. 6*(M6*20) mechanism screws and gaskets to connect the seat cushion and mechanism;
5. Use 3*(M8*20) screws and big shims to connect the backplate to the seat cushion;
6. Put the upper part of chair to the gas lift;
7. Insert the headrest into the backrest.