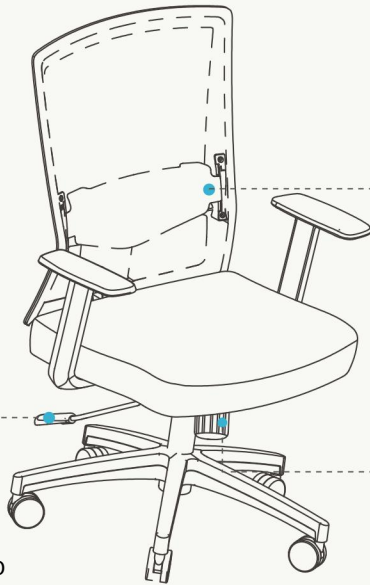


M87C

PRODUCT INSTALLATION GUIDE



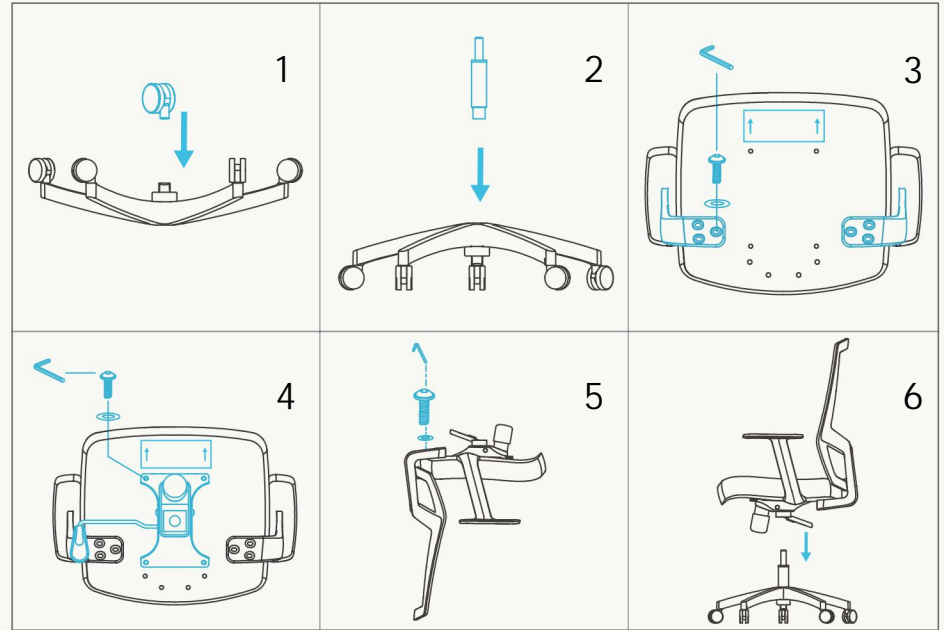
Adjustable lumbar
pillow height

Adjustable elasticity
when lean back

Pull up the handle to
adjust the height of
the chair
Pull out the handle to
unlock and lean back
Push handle locking
angle

Caution ! only adults are allowed to install, keep children away

Installation diagram (subject to actual size)



1. Press the caster into the chair leg
2. Put the gas lift into the middle hole of the chair leg
3. Use 6pcs M6*30 armrest screws and washers to connect the armrest and seat cushion
4. Use 4 M6*20 mechanism screws and gaskets to connect the mechanism and the seat cushion, pay attention to the front and rear
5. Connect 4pcs M6*35 seat back screws and gaskets to the seat back and cushion
6. Align the upper part of the assembled chair and insert the gas lift, and the installation is finished.

Accessories list (subject to actual size, each type of screw has extra for spare, unit: piece/set)

caster*5	chair base*1	mechanism*1	backrest*1
seat cushion*1	gas lift*1	hexagonal wrench*1	gasket*14+1
armrest*2	chair back screws (M6*35)* 4+1	Mechanism screws (M6*20) *4+1	Armrest screws (M6*30)* 6+1