

M76

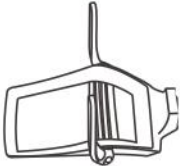




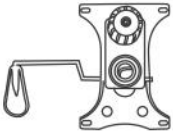


PRODUCT INSTALLATION GUIDE







Product Size: 63*62*86(94)CM




Accessories list (subject to actual size; each type of screw is equipped with spare screws; unit: piece/set)

 Backrest*1	 Seat cushion*1	 Hex wrench*1	 Backrest screw* (M6*35)*4+1
 Wheel *5	 Mechanism*1	 gas lift*1	 Mechanism screw (M6*20)*4+1

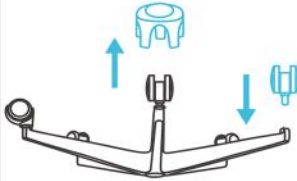
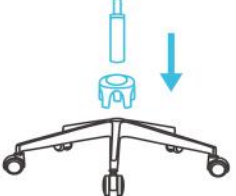

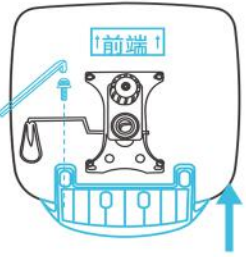

Note: Before installing the chair, please sort the screws and measure the length of the screws for installation.

 Steel foot/chair foot cover* 1 Note: The chair leg cover is buckled under the chair leg, please remove it first	 Plastic feet*1		
 Bow frame*1	 Bow frame screw (M6*20)*4+1		

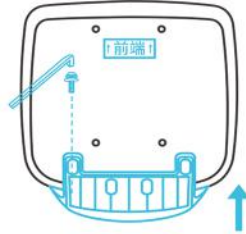
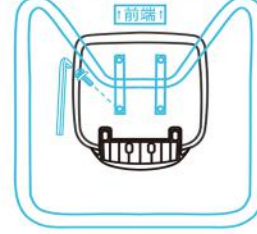




Installation diagram (subject to actual size)

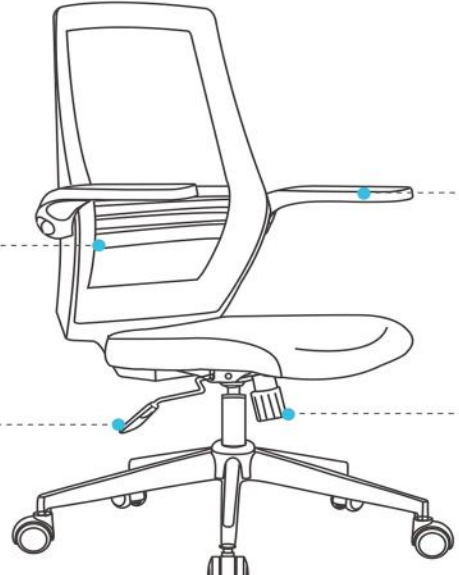
		
<p>● 1. Take out the chair foot cover from the chair foot (plastic foot ignore this step) 2. Press the wheel into the chair leg.</p>	<p>● 1. The chair foot cover is buckled into the chair foot first 2. Put the air pressure rod into the middle hole of the chair leg</p>	<p>● Use 4 M6*20 mechanism screws and washers to connect the seat cushion and mechanism, pay attention to distinguish the front and back</p>
		
<p>● Install the backrest to the seat cushion with 4 M6*35 backrest screws and washers</p>	<p>● Align the upper part of the assembled chair and insert the air pressure rod, pull down the armrest, and the chair installation is complete</p>	

Bow frame installation steps

	<p>1 Install the backrest on the seat cushion with 4 backrest screws (6*35) plus washers</p>
	<p>● Install the bow frame to the seat cushion with 4 bow frame screws (6*20) and washers. Pay attention to the direction and the chair is installed.</p>



Function diagram (subject to actual size)



Lumbar pillow can be adjusted up and down

The armrest can freely rotate up and down

Turn the handle to adjust the chair lift, pull out the handle to recline, push the handle to lock the backrest

Backward elastic adjustment