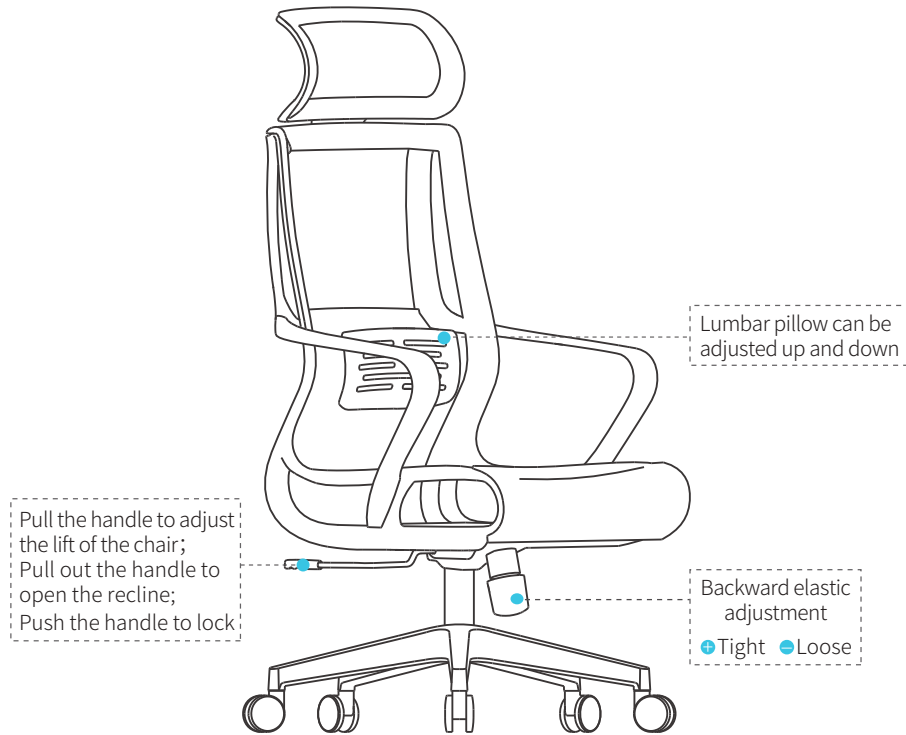


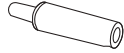
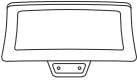

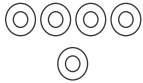

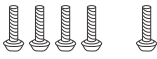

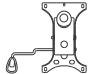



### PRODUCT INSTALLATION GUIDE

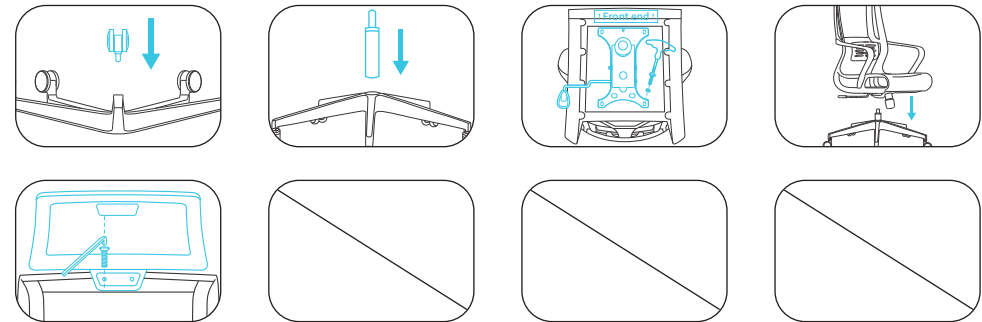


Product size: 68\*70\*111.5(117.5)CM

### Accessories list (subject to actual size, each type of screw has extra for spare)

 Castor*5	 Backrest*1	 Gas lift*1	 Headrest*1
 Hexagonal wrench*2	 Gasket*4+1	 Decorative cover*1	 Mechanism screw (M6*20)*4+1
 Headrest screw (M6*20)*2+1	 Mechanism*1	 Base*1	Note: Before installing the chair, please sort the screws and measure the length of the screws for installation.

### Installation diagram (subject to actual size)



1. Put the castor into the base by pressing;
2. Insert the gas lift to the base;
3. 4\*(M6\*20) mechanism screws and gaskets to connect the seat cushion and mechanism, pay attention to distinguish the front and back;
4. Put the upper part of chair to the gas lift;
5. Install the headrest to the backrest with 2\*(M6\*20) headrest screws, then cover the decorative cover, and the chair installation is complete.