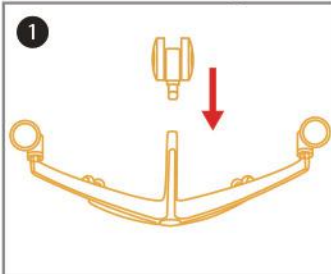
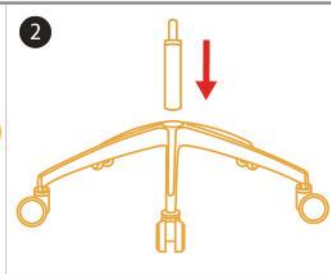
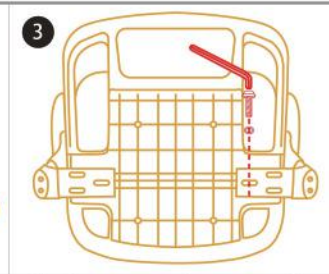
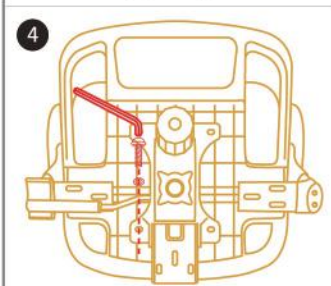
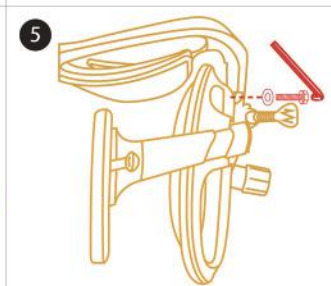

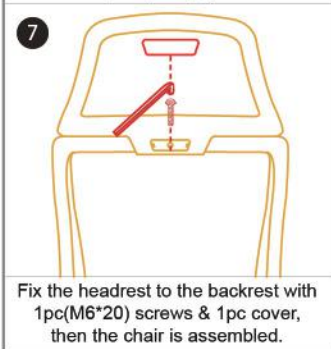


User Manual

Installation diagram (The size will be according to regular practice)

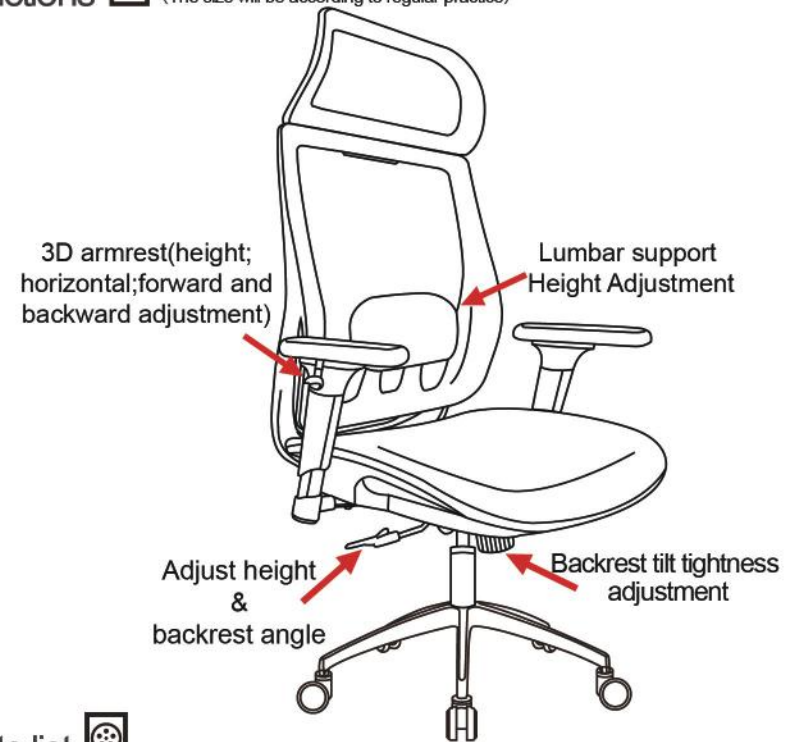
		
<p>Put the castor into the base by pressing.</p>	<p>Insert the gaslift to the base.</p>	<p>Fix the armrest to the seat cushion with 6pcs small shim and 6pcs (M6*20) screws.</p>
		
<p>Fix the mechanism to the seat cushion with 4pcs small shim and 4pcs (M6*16) screws</p>	<p>Fix the back plate to the mechanism with 3pcs big shim and 3pcs(M8*40) screws</p>	<p>Put the mechanism into the gaslift.</p>
		
<p>Fix the headrest to the backrest with 1pc(M6*20) screws & 1pc cover, then the chair is assembled.</p>		

Pls read the Safety Instructions below carefully.



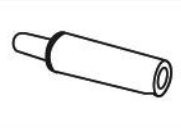



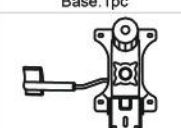

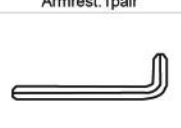
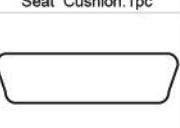
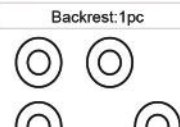
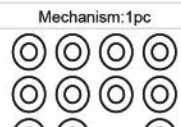

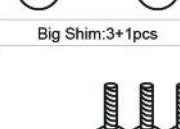



1. One chair can only bear one person's weight;
2. Please use on the flat floor;
3. Please don't let the child sit on the chair alone if he is under 5 year-old;
4. Please don't sit on the armrest, in case cause some danger;
5. Do not stand on the chair or use it as a ladder or footsteps;
6. Please don't put on the chair overweight, or used as trolley;
7. Don't use sharp or hooked objects to scrape the chair. Do not close the fire;
8. To avoid any harm to your fingers. Don't insert your finger into the mechanism while sitting.

Functions (The size will be according to regular practice)



Parts list (The size will be according to regular practice; one each exact for spare)

				
Castor:5pcs	Base:1pc	Gas lift:1pc	Armrest:1pair	Seat Cushion:1pc
				
Backrest:1pc	Mechanism:1pc	Headrest:1pc	Hex Wrench:1pc	Cover:1pc
				
Big Shim:3+1pcs	Small Shim:10+1pcs	Armrest Screw/Headrest Screw(M6*20):7+1pcs		
				
Mechanism Screw(M6*16):4+1pcs		Back Plate Screw(M8*40):3+1pcs		
<p>Notice: Before installation, pls classify the screw, measure the screw length to easy assemble</p>				
