

M16

PRODUCT INSTALLATION GUIDE



Product Size : 61*61*107(117)CM

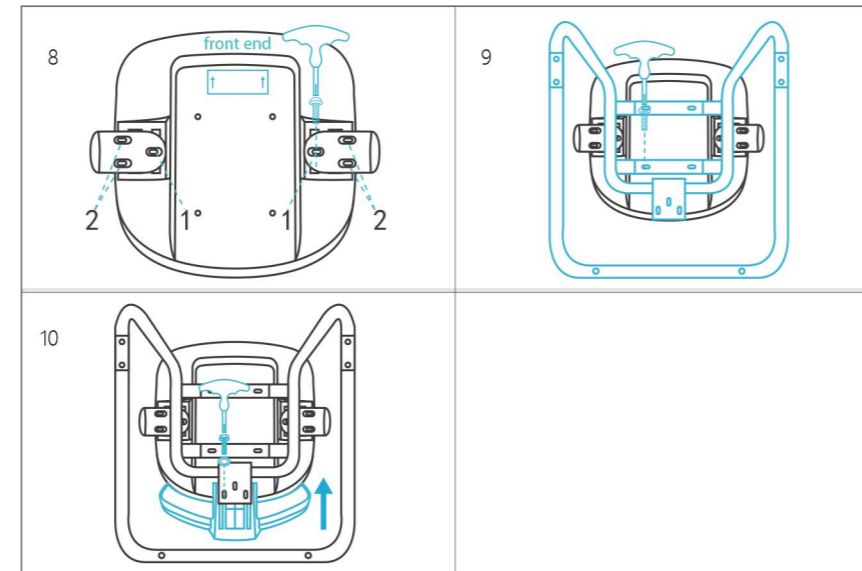
Note! only adults are allowed to install, keep children away

Accessories list (subject to actual size, each type of screw has extra for spare, unit: piece/set)

| | | | |
|--|-------------------|----------------------------|-----------------------------------|
| General accessories | backrest*1 | large gasket*3+1 | armrest*2 |
| hexagonal wrench*1 | small gasket*4+1 | handrail screw (M6*35)*4+1 | back steel pipe screw (M8*45)*3+1 |
| Note: Before installing the chair, please sort the screws first, measure the length of the screw for installation. | | | |
| Swivel chair accessories | chair leg*1 | mechanism*1 | gas lift*1 |
| mechanism screw (M6*20)*4+1 | chair leg cover*1 | caster*5 | optional accessories |
| headrest*1 | | | |

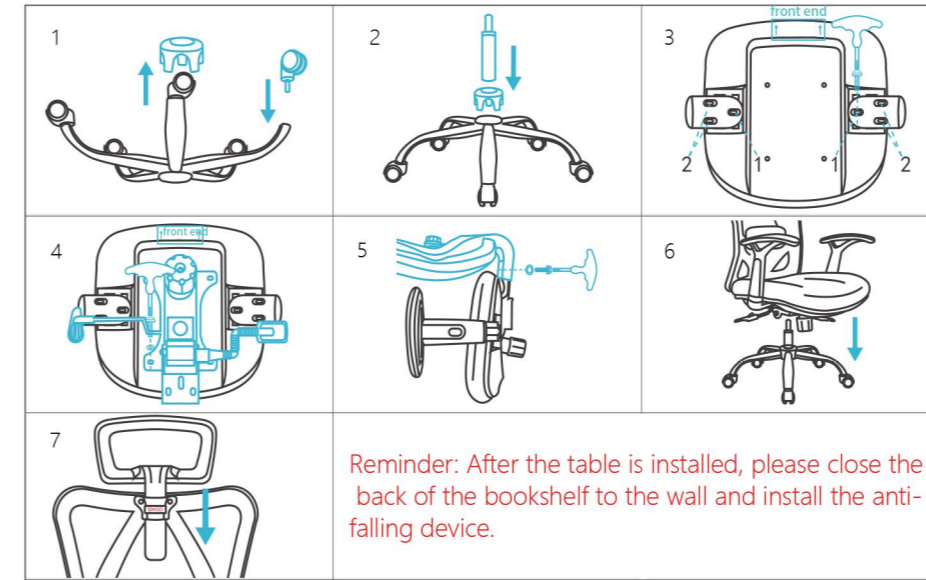
| | | |
|----------------------------|---------------|-------------------------------|
| Arch chair leg accessories | bow bracket*1 | bow bracket screw (M6*25)*4+1 |
|----------------------------|---------------|-------------------------------|

Bow frame installation steps



Installation diagram (subject to actual size)

Swivel chair installation steps



Reminder: After the table is installed, please close the back of the bookshelf to the wall and install the anti-falling device.

- (1) Take out the chair leg cover from the chair leg
(2) Press the caster into the chair leg
- (1) The chair leg cover is buckled into the chair leg first
(2) Put the gas lift into the middle hole of the chair leg
- Code 1 uses 2 M6*30 handrail screws
Code 2 uses 4 M6*35 armrest screws to connect the armrest and the seat cushion
- Use 4 M6*20 mechanism screws and small washers
- Connect the back steel plate and the seat cushion with 3 M8*45 back steel plate screws to enlarge the washer
- Align the upper part of the assembled chair and insert the gas lift
- Insert the headrest into the back of the chair, and the installation is installed
- Code 1 uses 2 M6*30 handrail screws;
Code 2 uses 4 M6*35 armrest screws to connect the armrest and the seat cushion
- Connect the bow frame and the seat cushion with 4 M6*25 bow frame screws and small washers
- Insert the backrest into the tail plate of the bow frame, and lock it with 3 M8*45 back steel plate screws + large washers, and the chair installation is complete

Function Description

