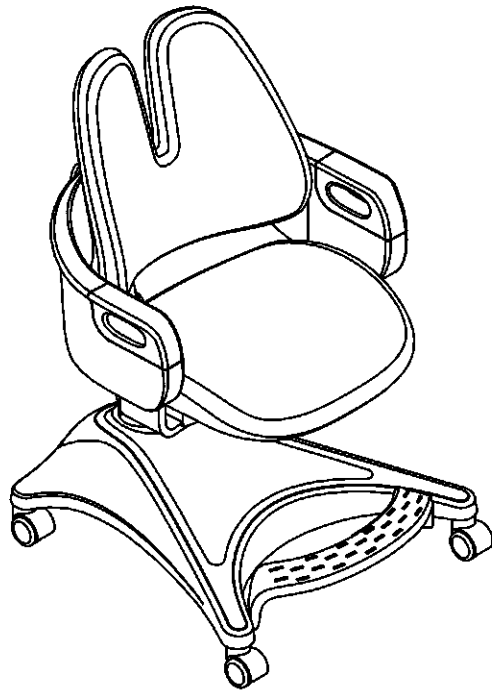


PRODUCT INSTALLATION GUIDE

K36C Product Installation Guide

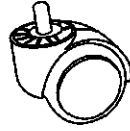


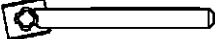
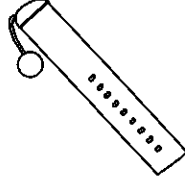








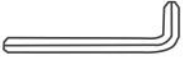


product size:57*65*74(96.5)CM

▲ Note! Only allow adults to install, keep children away

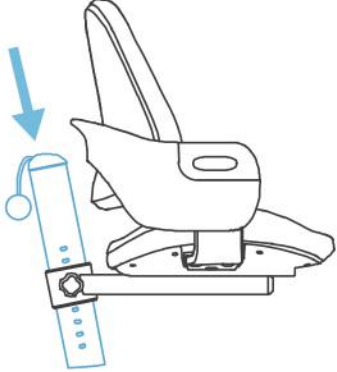
▲ Note! please be aware of children swallowing the accessory

⊙ Accessories list (subject to actual size; each type of screw is equipped with spare screws; unit: piece/set)

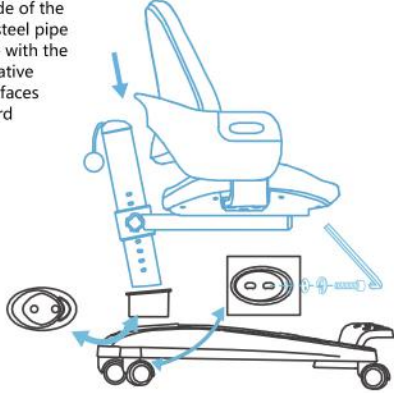
 caster× 5	 chair leg× 1	 seat× 1	 steel base× 1
 stell tube of back× 1	 small spacer 4+1	 socket× 1	 iron platex× 1

			Note: 1. The three accessory screws of large gasket, spring sheet and back steel pipe (M10*35) have been installed on the back steel pipe. Please remove them before use;
big spacer × 2	spring leaf × 2	Back steel pipe screw (M10*35) × 2	
			
8mm hexagon wrench × 1	chair seat screw (M6*30) × 4+1	5mm hexagonal wrench × 1	

0 1 2 3 4 5 6 7 8 9 10 cm



Loosen and pull the knob of the seat cushion, insert the back steel pipe into the seat cushion obliquely, and re-tighten the knob after positioning;

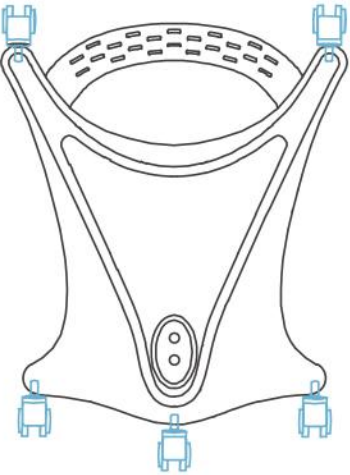


Note: the side of the back steel pipe sleeve with the decorative cover faces forward

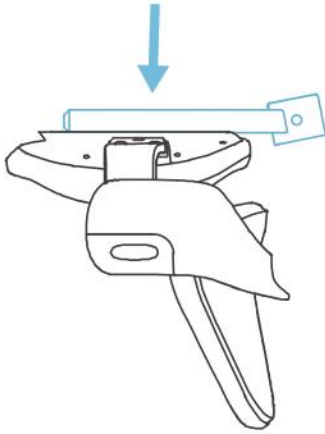
First remove the screws at the bottom of the back steel pipe and insert the back steel pipe into the pipecover, then insert into the chair leg, use 2 M10*35 screws to add spring leaf, large washers and iron plates to install the seat cushion and back steel pipe on the legs of the chair, the installation is finished.



Installation Diagram (subject to actual size)



Insert the wheel into the chair leg;



Flip the seat, use 4 M6*30 seat screws and small washers to install the steel base on the seat



Function Introduction (subject to actual size)

chair back height and depth adjustment

Use the flip switch as shown in the picture, apply before and after slide the chair seat to a suitable height, after listen the sound of the gear, release the flip switch, that is adjustable armrest height, chair back height, chair seat depth.

seat height adjustment

Loosen the knob as shown in the figure to adjust the seat cushion height, loosen the knob and hear the screw inside the knob, tighten the knob after the sound of wire and hole jamming, the installation is finished.

footrest

Equipped with pedals to avoid dangling your feet during use, causes some unhealthy actions such as irregular sitting posture and squeezing legs.

