

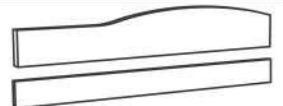

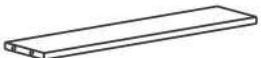


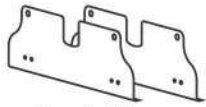





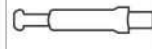
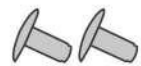


H9C



**Accessories list** (subject to actual size, each type of screw has extra for spare, unit: piece/set)

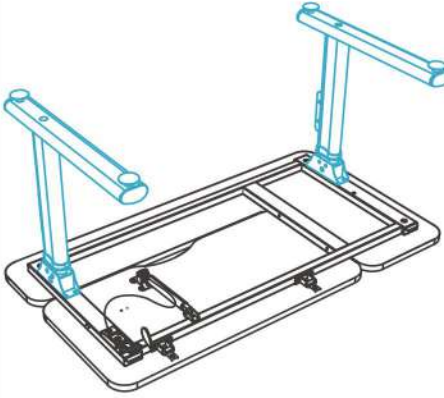
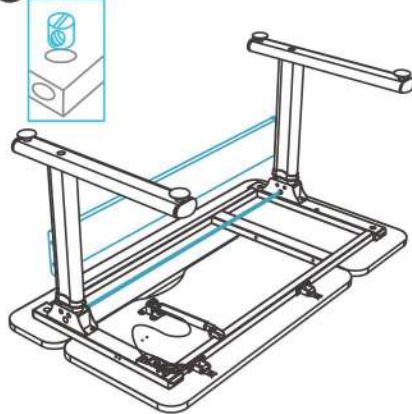
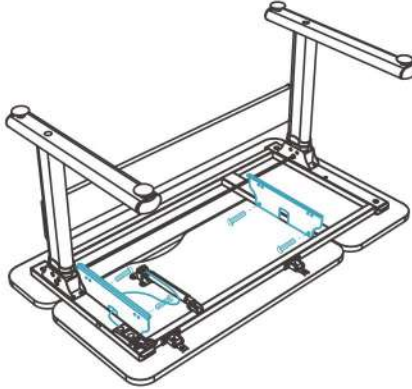
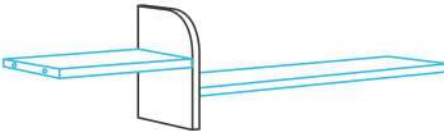


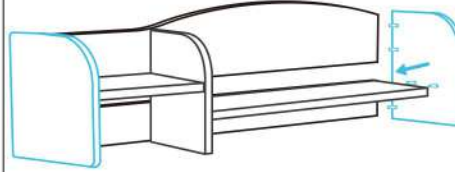
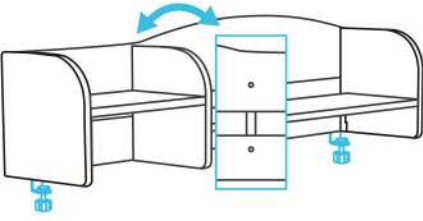
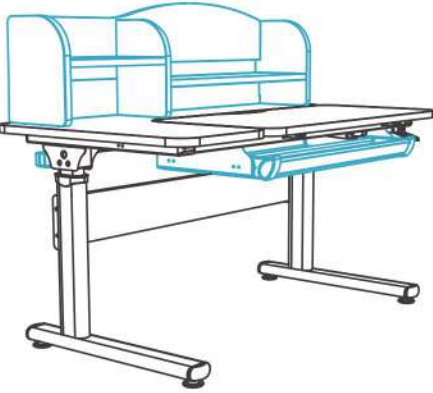
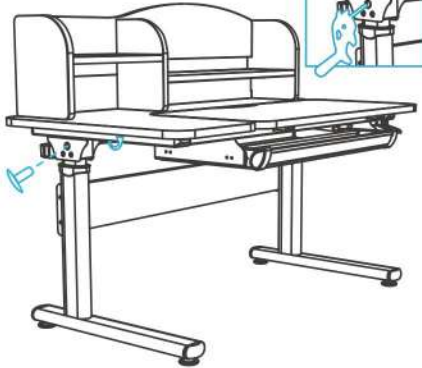
**Note!** only adults are allowed to install, keep children away

 Table legs*2		 Desktop board*1		 Upper and lower back plates of bookshelf*2	
 Lower baffle*1		 Hexagon bar*1		 Large laminate*1	
 Bookshelf side panel*3		 Left and right bookshelf feet *2		 Laminate*1	
 Plastic drawer*1		 Drawer bracket*1		 3*35 screw*3	 M6 * 14 screw*20
 M6*30 screw*5	 M4*10 screw*3	 Taper nut*5	 screw*20	 Lock handle*20	 Lift adjuster*1
 Rubber plug*1	 hook*1	 Cross screwdriver*1			



# Installation diagram (subject to actual size)

	
<p>Use 8 M6 * 14 screws to install the left and right table legs on the table board assembly (the long end of the table legs is consistent with the direction of the handle);</p>	<ol style="list-style-type: none"> <li>1. Insert the hexagon strip into the hexagon hole of the left and right table legs (the fixings can be loosened)</li> <li>2. Put 4 taper nuts into the lower baffle plate of table leg;</li> <li>3. Screw 4 M6 * 30 screws onto the taper nut (Note: the hole of the lower baffle plate is facing forward)</li> </ol>
	
<p>Use 4 M6 * 14 screws to install the drawer bracket on the desktop board assembly (Note: to be installed in pairs, the pull out direction of the guide rail is consistent with the hinge, and the cable of the damper needs to pass through the concave hole of the drawer bracket.)</p>	<ol style="list-style-type: none"> <li>1. Install screws on each plate</li> <li>2. First tighten the large and small laminates to the middle side plate with the lock handle</li> </ol>

	
<p>Insert the left and right side plates into the upper and lower back plates, large and small laminates, and tighten each locking handle;</p>	<ol style="list-style-type: none"> <li>1. Use 3 * 35 screws to fix the upper and lower back plates on the middle side plate;</li> <li>2. Use 4 M6 * 14 screws to install the left and right bookshelf corner codes on the bookshelf side plate and tighten them</li> </ol>
	
<p>Place the bookshelf on the desktop, tighten the bookshelf knob, and insert the plastic drawer into the guide rail at the same time ;</p>	<ol style="list-style-type: none"> <li>1. Use two M4 * 10 screws to install the hook on the desktop component;</li> <li>2. Put the two rubber plugs into the rocker hole, and the table installation is completed; (warm tip: when the table needs to be lifted and adjusted, take out the rubber plugs first, and then put them into the lifting adjuster)</li> </ol>