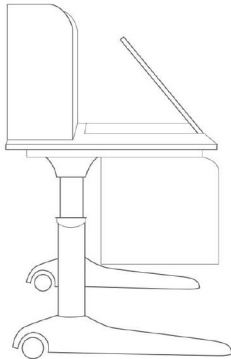


H3 PRODUCT INSTALLATION GUIDE



Dimension: 130*66*95(118)CM






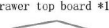



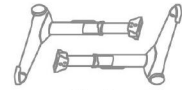

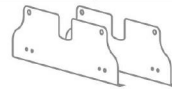









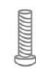
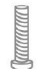



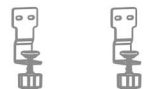



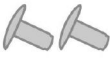



Note! only adults are allowed to install, children are not allowed!



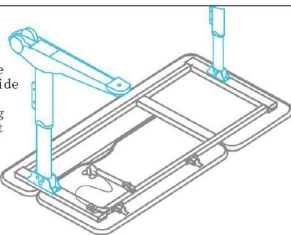
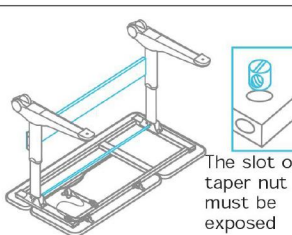
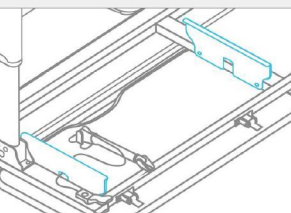
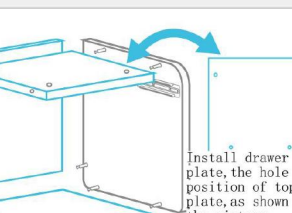
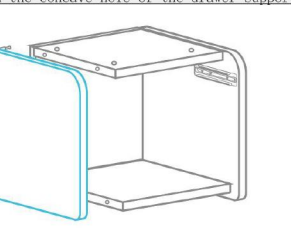
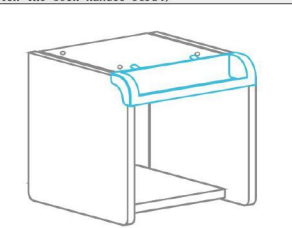
NOTE! All accessories, please be careful not to be swallowed by children

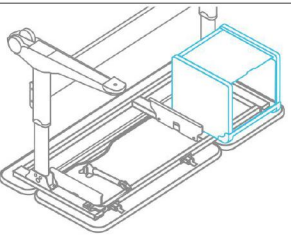
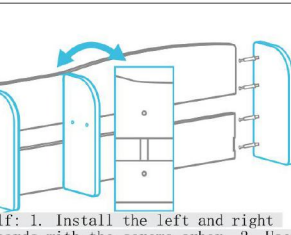
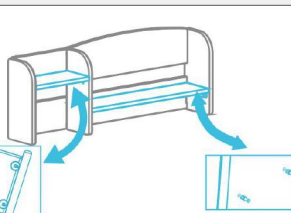
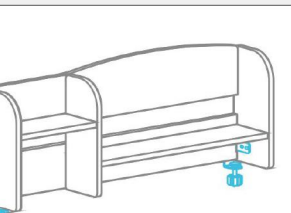

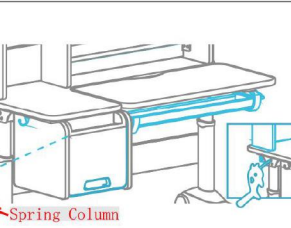


Accessories list: (Follow the actual size; each type of screw is equipped with extra spare screws; unit: piece / set)

 <p>Bookshelf side panels *3</p>		 <p>Plastic drawer *1</p>		 <p>Drawer top board *1</p>		 <p>Drawer bottom board *1</p>		 <p>Drawer back board *1</p>			
 <p>Drawer side panels *2</p>		 <p>Drawer face panel *1</p>		 <p>table legs *2</p>		 <p>pen box drawer *1</p>					
 <p>Drawer support *2</p>		 <p>hexagon bar *1</p>		 <p>desktop board *1</p>							
 <p>Upper back plates of bookshelf *1</p>		 <p>Lower back plates of bookshelf *1</p>		 <p>Large plywood *1</p>							
 <p>Small plywood *1</p>		 <p>Table leg link board *1</p>		 <p>Cross screwdriver *1</p>							
 <p>M3.5*12 Screw *5</p>		 <p>M6*14 Screw *27</p>		 <p>M6*30 Screw *8</p>		 <p>M4*10 Screw *3</p>		 <p>M7*40 Screw *3</p>		 <p>Shelf support*5</p>	
 <p>Left and right bookshelf corner *2</p>		 <p>Taper nut *5</p>		 <p>Screw arbor *23</p>		 <p>Lock handle *23</p>		 <p>Rubber plug *2</p>			
 <p>Large shelf corner code*2</p>		 <p>Lifting adjustable *1</p>		 <p>Hook *1</p>							

Installation drawing (subject to actual size)

<p>1</p>  <p>Note: the pasted side of the table leg faces out</p>	<p>2</p>  <p>The slot of taper nut must be exposed</p>
<p>Use 8 Screws M6*14 to install the left and right table legs on the table board (Keep the table leg and handle in the same direction)</p>	<p>1. Insert the hexagon strip into the hexagon hole of the left and right table legs (The fixings can be loosened) 2. Put 4 taper nuts into the lower baffle of table leg 3. Screw down 4 screws (M6 * 30) on the cone nut (Note: The lower baffle plate is facing forward)</p>
<p>3</p> 	<p>4</p>  <p>Install drawer top plate, the hole position of top plate, as shown in the picture.</p>
<p>Use 4 screws (M6*14) to install the drawer support on the desktop board assembly. Note: 1. Must to match installation. 2. The pull out direction of the guide rail is consistent with the hinge. 3. The cable of the damper needs to pass through the concave hole of the drawer support.</p>	<p>Install the screws of the two drawer side plates, and then install the drawer top plate, bottom plate and back plate. Install them on the right side board of the drawer respectively. (Note: the hole of the back board faces back, and the bottom board. The hole is facing down, do not tighten the lock handle first)</p>
<p>5</p> 	<p>6</p> 
<p>Install the left side board of drawer, and tighten all locking handles;</p>	<p>Install the Pen Box Drawer on the drawer and tighten it with four M3.5 * 12 self tapping screws (Note: install the top first and then both sides)</p>

<p>7</p> 	<p>8</p> 
<p>Install the drawer on the desktop frame: tighten it with 3 screws M6*30, and check whether all screws have been tightened.</p>	<p>Bookshelf: 1. Install the left and right outer boards with the screws arbor. 2. Use the lock handle to install the left and right outer plates on the upper and lower back plates. 3. Install the middle side plate to the upper and lower back plates and tighten it with two M7 * 40 screws</p>
<p>9</p> 	<p>10</p> 
<p>1. Use 8 layer boards to install to large layer boards and small layer boards respectively; 2. Install 8 layer board screws on the side board of bookshelf, and put them into the large and small layer boards. Warm tips: the position of large and small plywood can be adjusted up and down;</p>	<p>Use 4 screws (M6 * 14) to install the left and right bookshelf corner on the bookshelf side plates and tighten them.</p>
<p>11</p> 	<p>12</p>  <p>Spring Column</p>
<p>1. Put the bookshelf on the desktop and tighten the bookshelf knob 2. Insert the plastic drawer into the drawer rail.</p>	<p>1. Use two M6 * 10 screws to install the hook on the desktop assembly; 2. Press and hold the drawer panel spring column to insert the guide rail; 3. Put two rubber plugs into the rocker hole to complete the installation.</p>

Warm tip: after the table is installed, please attach to the wall and install the anti overturning device.