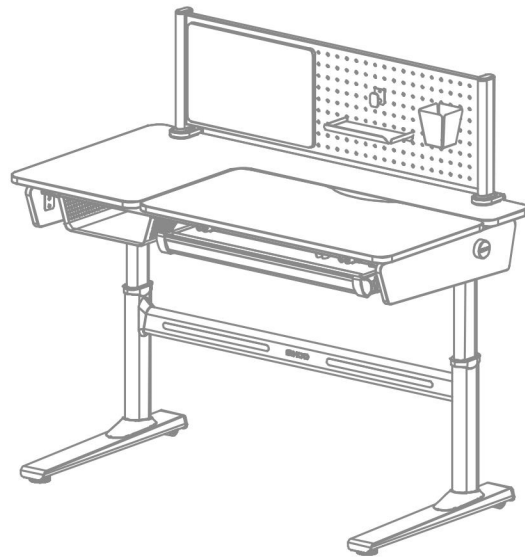



PRODUCT INSTALLATION GUIDE

H10C Product Installation Guide



Product Size: 120*60.5*87(110)CM

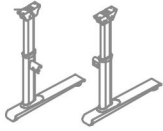
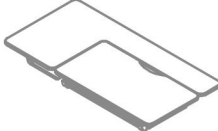
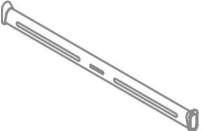
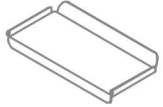

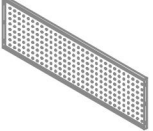








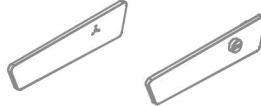
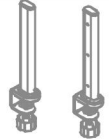



 Note! Only allow adults to install, keep children away



Accessories list (subject to actual size; each type of screw is equipped with spare screws; unit: piece/set)

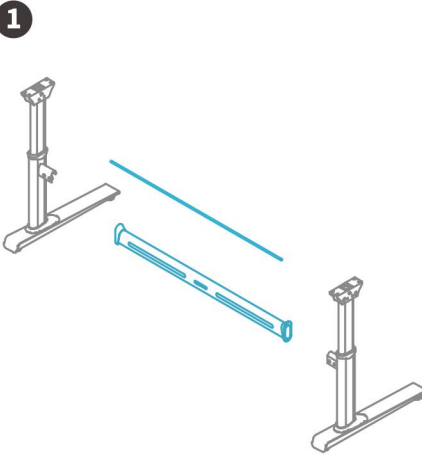
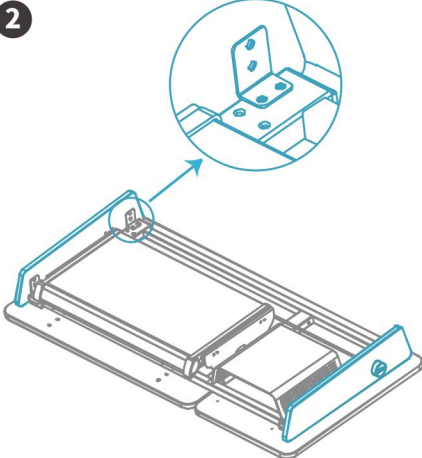
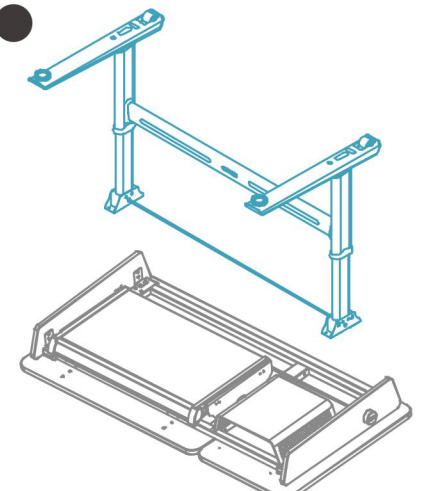
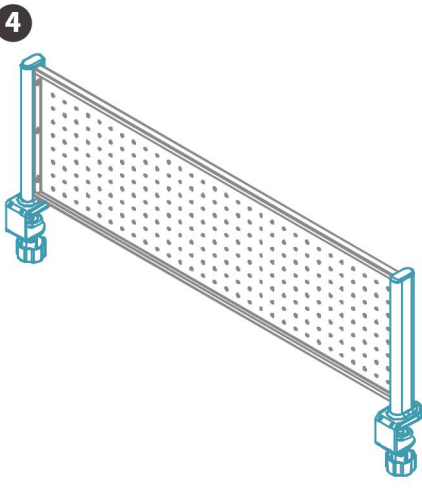



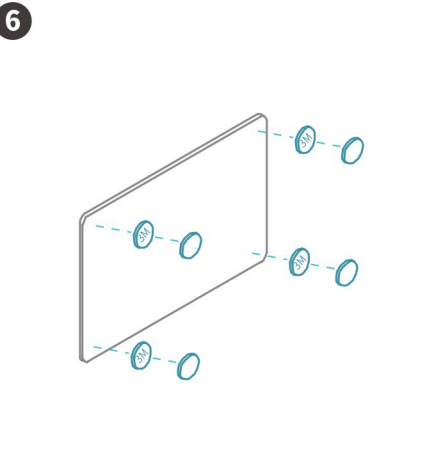
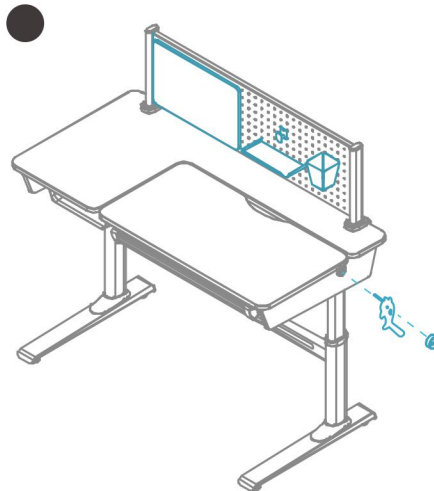
Note! please be aware of children swallowing the accessory

 table legs× 2	 desktop board components× 1	 connecting pipe× 1
 hang buckle storage pocket× 1	 hexagonal rib× 1	 steel screen hanging gusset× 1
 M8*12screw× 5	 hanging buckle pen holder× 1	 hang buckle× 1
 hexagonal wrench× 1	 felt board× 1	 M6*14screw× 32
 phillips screwdriver× 1	 lifting regulator× 1	 decorative plate× 2
 steel screen mount× 2	 wood board connection code× 4	 round magnet× 5
 3M double-sided tape× 5		



Installation Diagram (subject to actual size)

<p>1</p> 	<p>2</p> 
<p>1. Use 4 M8*12 screws to lock the connecting pipe; 2. Insert the hexagonal ribs into the hexagonal holes of the left and right table legs, the parts can be loosened</p>	<p>Use 16 M6*14 screws and wood board connection code to install the decorative board on the desktop assembly (pay attention to protect decorative board on the desktop)</p>
<p>3</p> 	<p>4</p> 
<p>Use 8 M6*14 screws to install the left and right table legs to the table top board assembly (pay attention to protect the surface of the panel);</p>	<p>Use 6 M6*14 screws to install the steel screen hanging gusset to the steel screen fixing seat;</p>

<p>5</p> 	<p>6</p> 
<p>Install the steel screen installed in the previous step on the desktop board and tighten the knob</p>	<p>1. First paste the 3M double-sided tape on the round magnet, 2. Attach the round magnets to the four corners of the felt board</p>
<p>7</p> 	
<p>Install the hanging buckle storage pocket, hanging buckle pen holder, and hanging buckle on the steel screen hanging gusset plate, and stick the magnet surface of the felt board to the steel screen hanging gusset plate.</p>	<p>(Reminder: When the table needs lifting adjustment, first twist off the cover, and then put it in the lifting adjuster)</p>

Reminder: After the table is installed, please close the back of the bookshelf to the wall and install the anti-falling device